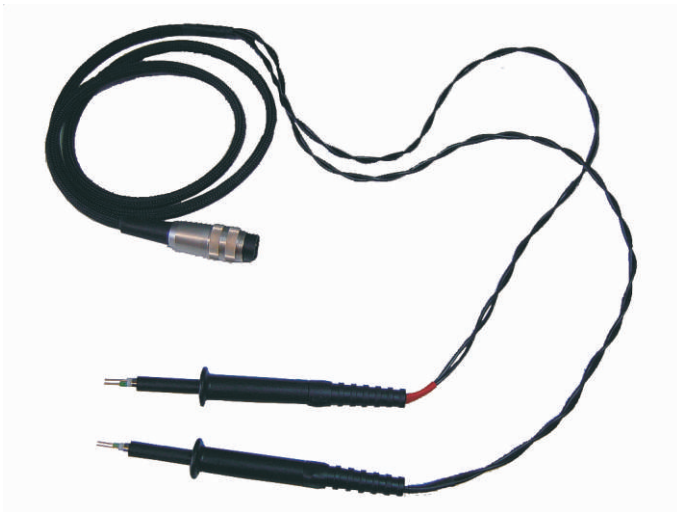


## Low Ohm Measurement Electrode

# Kelvin Senser KT 1

for measurement of resistances in low ohm range according to four-wire ohms or Kelvin measurements



The Kelvin Senser KT 1 is a four-wire test probe pair with each 2 precision senses each for contacting the specimen according to four-wire ohms or Kelvin measurements.

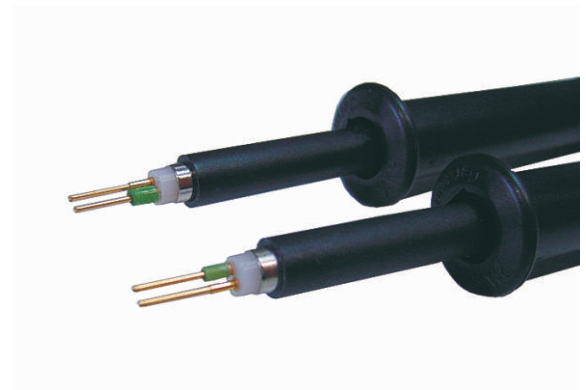
Together with a Milli-Ohm Meter, with works according to the current-voltage method to measure resistances, you are able to contact low ohm specimen easy and precise.

Resistance values from 10  $\mu$ Ohm resolution up to 200 kOhm can be measured precise.

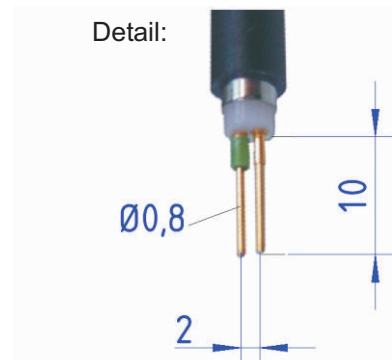
Test current up to 1 A is allowed.

The connecting cable has a length of 1 m and will be connected to the Milli-Ohm meter like the Milli-TO 3 or MO 3 through a 5-pin DIN threaded coupling connector.

- ▶ four-wire test probe pair with 2 precision senses each for measurement according to four-wire ohms or Kelvin measurements
- ▶ measurement range 10 x 10<sup>-6</sup> Ohm resolution to 200 x 10<sup>3</sup> Ohm measuring range end value
- ▶ max. 1 A test current
- ▶ connecting cable 1 m with 5-pin DIN threaded coupling connector



Detail:



Please ask for customized solutions